



SOLE S.A. is the inventor of the closed circuit Solar Water Heater.



Advantages

- Maximizes efficiency
- No need to recharge the solar circuit
- Improved aesthetic results.
- Extremely low height design
- Maximum protection against oxidation
- Easy to install
- Minimum maintenance required
- Magnesium anode for extra protection against aggressive "hard" water

Commitment to the environment

Since its foundation in 1974 SOLE S.A. has been committed to the protection of the environment and the reduction of CO emission.

SOLE S.A. holds numerous prizes and environmental distinctions, contributing with its products to the improvement of environment in all 5 continents.

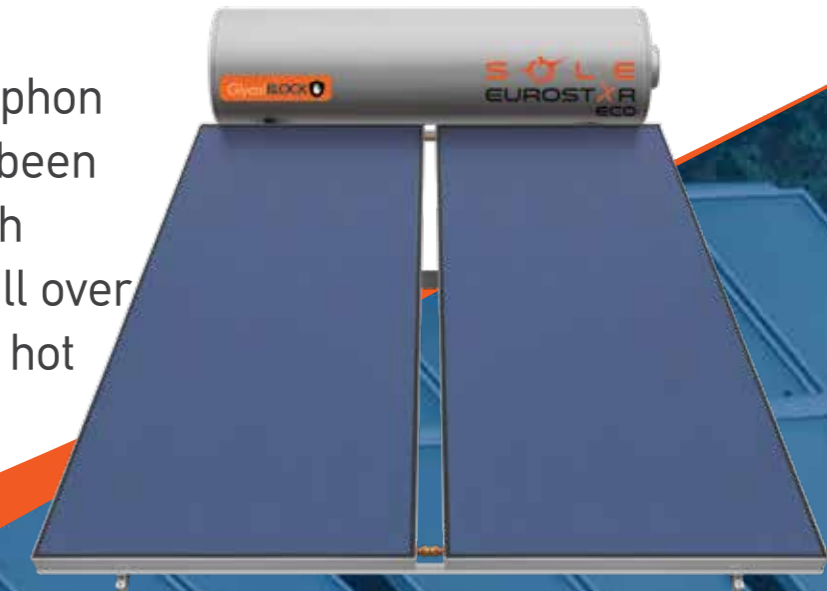
Solar Water Heater

EUROSTAR ECO

SYSTEM
GlycolBLOCK

Less maintenance and zero glycol refill interventions

The new series of thermosiphon systems Eurostar ECO, have been designed in order to cope with the demands of any market all over the world specializing in very hot climates without the need for refilling the solar circuit.



Durable
Withstanding 22,5 bar pressure!!!

Discrete
With a low version (hidden tank) for preserving architectural designs.

The Eurostar ECO solar water heater is manufactured in compliance with the International Standards for Quality Assurance ISO 9001:2015, is tested according to international standards EN12976-1-2.

The collector's performance and reliability is tested according to EN 12975-2. The system has been granted with the Solar Keymark Certificate.

SOLE S.A.

SOLAR APPLIANCES MANUFACTURER

Lefkton 1 & Laikon Agonon, 136 71 Acharnai - Athens - Greece

Tel.: +30210 2389500

Fax: +30210 2389502

Email: export@sole.gr

www.sole.gr

www.eurostar-solar.com



بلدية دبي
DUBAI MUNICIPALITY



www.sole.gr

www.eurostar-solar.com

ECO Collector



The ECO collector casing is made of specially designed extruded aluminum profile, without any external connections, screws, nuts or rivets. The Rockwool insulation will maintain very high temperatures achieving an incredibly high efficiency.

The absorber is composed of Blue Selective Aluminum fins, welded to copper pipes with laser welding.

The thermal liquid achieves maximum transfer of heat to the water while protecting the system against scaling, rusting, freezing and overheating.

Eurostar ECO Boiler



The Eurostar ECO tank has a galvanized steel external casing, with epoxy powder coating, oven treated for maximum protection from rain, sun and salty environment, ensuring durability and an elegant appearance.

The FREON FREE polyurethane insulation is casted under pressure in the tank, surrounding the cylinder and maintaining hot water for up to 48 hours.

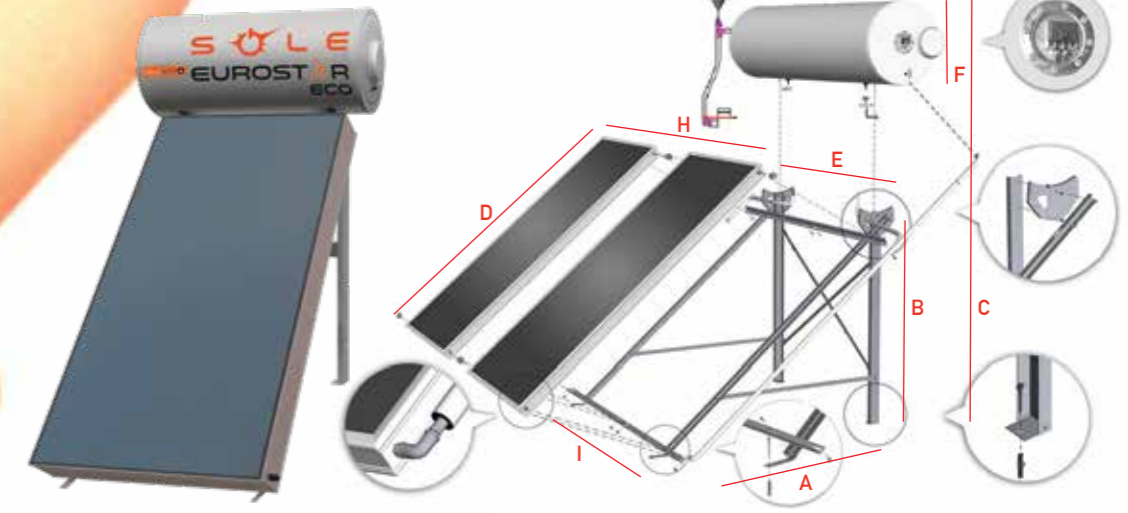
The new revolutionary heat exchanger of the closed circuit assures instant hot water at very high temperature. The tank is made of low carbon steel with a double "enameling" coating (glass), oventreated at 860C.

The magnesium anode effectively protects the cylinder from electrolysis. The optional backup electric heater ensures hot water even in very cloudy days.

TECHNICAL CHARACTERISTICS

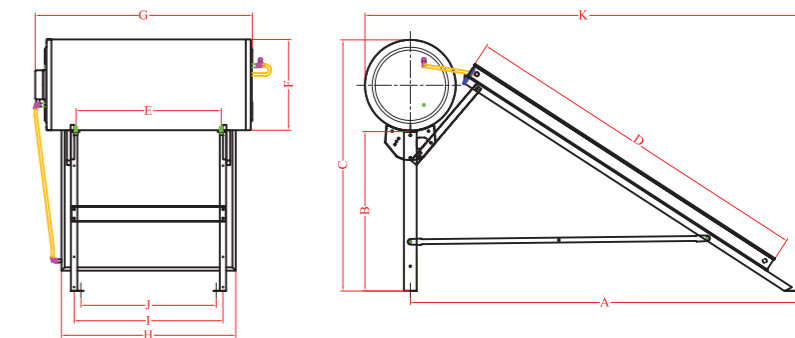
THERMOSIPHON SYSTEM Eurostar ECO

TECHNICAL CHARACTERISTICS														
TYPE	125-1-S200	150-1-S200	150-1-S230	150-1-S260	200-1-S200	200-2-S200	250-2-S200	300-2-S200	300-2-S230	300-2-S260	350-2-S230	350-2-S260	400-2-S230	400-2-S260
SOLAR COLLECTORS														
NUMBER OF COLLECTORS	1	1	1	1	1	2	2	2	2	2	2	2	2	2
AREA OF COLLECTORS m²	1,88	1,88	2,28	2,64	2,64	3,76	3,76	3,76	4,56	5,28	4,56	5,28	4,56	5,28
DIMENSIONS (x number of collectors)	1960x960x81	1960x960x81	1960x1165x81	2135x1238x81	2135x1238x81	1960x960x81	1960x960x81	1960x960x81	1960x1165x81	2135x1238x81	1960x1165x81	2135x1238x81	1960x1165x81	2135x1238x81
WEIGHT kg	32,00	32,00	39,00	44,00	44,00	64,00	64,00	64,00	78,00	88,00	78,00	88,00	78,00	88,00
FRAME	Aluminum profile. Free of screws and rivets.													
COVER	Tempered low iron prismatic glass 3.2 mm. 95,3% transmission.													
SEALING	Acrylic foam - Structural Silicon													
INSULATION	Rockwool 40mm (50kg/m ³) back and Glass wool 20 mm (30kg/m ³) sides.													
ABSORBER MATERIAL	Blue Selective Aluminum fins, welded to copper pipes with laser welding.													
ABSORPTION	(a) 95% (± 0,02)													
EMISSION	(e) 5% (± 0,02)													
MAXIMUM WORKING PRESSURE	22,5bar													
MAXIMUM WORKING TEMPERATURE	193° C													
TANK														
CAPACITY NOMINAL (lt)	125	150	150	150	200	200	250	300	300	350	400			
WEIGHT EMPTY (kg)	42	45	45	45	51	51	70	80	80	86	91			
BOILER BODY	The boiler "body" is made from USD 37.2 steel plate. The boiler is (glass) enamelled with the advanced double "direct" method "fired" at 860°C													
HEAT EXCHANGER	Internal heat exchanger made from 3.0 mm EN-10219 steel certified for testing pressure at 22,5 bar & operating pressure of 15 bar.													
INSULATION	Freon free Polyurethane 30-50mm (40kg/m ³) casted under pressure.													
EXTERNAL COVER	Steel sheet galvanized, powder coated, oven treated RAL 9006.													
ANODE PROTECTION	Magnesium rod													
MAXIMUM WORKING PRESSURE	10 bar													
MAX. WORKING TEMP. OF SOLAR CIRCUIT	150° C													
MAX. WORKING PRESS. OF SOLAR CIRCUIT	15 bar													
TEST PRESSURE OF SOLAR CIRCUIT	22,5 bar													



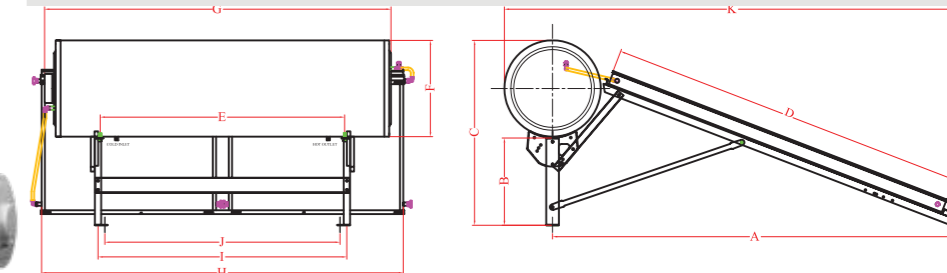
STANDARD HEIGHT DIMENSIONS mm.

TYPE	A	B	C	D	E	F	G	H	I	J	K
125-1-S200	1613	1377	1877	1960	800	500	1080	960	895	745	1863
150-1-S200	1613	1377	1877	1960	800	500	1210	960	895	745	1863
150-1-S230	1613	1377	1877	1960	800	500	1210	1165	895	745	1863
150-1-S260	1747	1489	1989	2135	800	500	1210	1238	895	745	1997
200-1-S260	1747	1489	2039	2135	800	550	1270	1238	895	745	2022
200-2-S200	1613	1377	1927	1960	800	550	1270	1980	895	745	1863
250-2-S200	1613	1377	1927	1960	1345	550	1610	1980	1443	1440	1888
300-2-S200	1613	1377	1927	1960	1345	550	1870	1980	1443	1440	1888
300-2-S230	1613	1377	1927	1960	1345	550	1870	2390	1443	1440	1888
300-2-S260	1747	1489	2039	2135	1345	550	1870	2536	1443	1440	2022
350-2-S230	1613	1377	1927	1960	1345	608	2020	2390	1443	1440	1917
350-2-S260	1747	1489	2039	2135	1345	608	2020	2536	1443	1440	2051
400-2-S230	1613	1377	1927	1960	1345	608	2020	2390	1443	1440	1997
400-2-S260	1747	1489	2039	2135	1345	608	2020	2536	1443	1440	2051



LOW HEIGHT DIMENSIONS mm.

ΤΥΠΟΣ	A	B	C	D	E	F	G	H	I	J	K
150-1-S200	2147	878	1383	1960	800	500	1210	960	820	745	2411
200-1-S230	2147	878	1433	1960	800	550	1270	1165	820	745	2436
300-2-S200	2147	878	1433	1960	1345	550	1870	1980	1370	1295	2436
350-2-S230	2147	878	1490	1960	1345	608	2020	2390	1370	1295	2465
350-2-S260	2281	878	1490	2135	1345	608	2020	2506	1370	1295	2561
400-2-S230	2147	878	1490	1960	1345	608	2020	2390	1370	1295	2465
400-2-S260	2281	878	1490	2135	1345	608	2020	2506	1370	1295	2561



EXTRA LOW HEIGHT DIMENSIONS mm.

TYPE	A	B	C	D	E	F	G	H	I	J	K
150-1-S200	2231	480	988	1960	800	500	1210	960	820	745	2495
200-1-S230	2231	480	1038	1960	800	550	1270	1165	820	745	2520
300-2-S200	2231	480	1038	1960	1345	550	1870	1980	1370	1295	2520
350-2-S230	2231	480	1060	1960	1345	550	1870	1980	1370	1295	2520
400-2-S230	2231	480	1060	1960	1345	550	1870	1980	1370	1295	2520

The **eco-friendly** Eurostar ECO natural circulation solar water heater is completely made of recyclable material.



SOLE's respect for the environment starts at the production stage.

